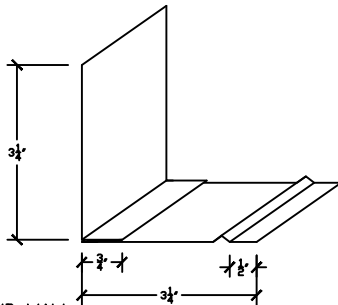
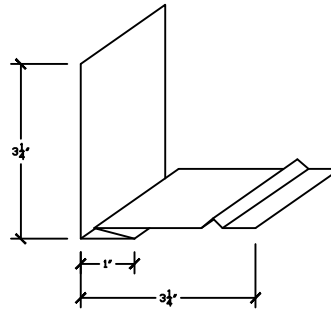


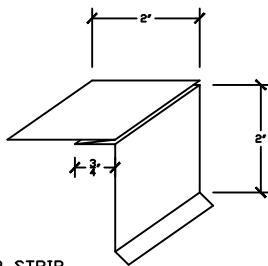
1 TYPICAL VALLEY
15 1/4" WIDE SHEET STOCK BEFORE FOLDS



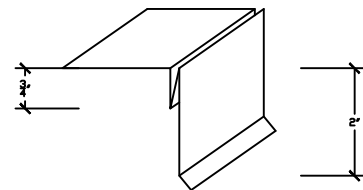
2 TYPICAL END WALL
8" WIDE SHEET STOCK BEFORE FOLDS



3 TYPICAL SIDE WALL
8" WIDE SHEET STOCK BEFORE FOLDS



4 TYPICAL STARTER STRIP
5 1/2" WIDE SHEET STOCK BEFORE FOLDS



5 TYPICAL GABLE END
5-1/2" WIDE SHEET STOCK BEFORE FOLDS

Typical Roof Flashing Details



***STAINLESS COLORS**
NATURAL, PEWTER, WHEAT, BRONZE,
BLUE, SLATE, BRONZE-GOLD,
BURGUNDY, PURPLE-BLUE, PEACOCK,
BLUE-GREEN, CHARCOAL
(#4/SCOTCHBRITE FINISH ONLY)

GA. AVAILABLE
28 GAUGE (.015")

MATERIALS
STAINLESS STEEL + ZALMAG®

SIZES AVAILABLE
10' Standard Length

FINISH
STAINLESS: BRIGHT (BA), MILL (2B)
ZALMAG: NATURAL,
PRE-PATINA II, KUJANI
GREEN, BARNA
BRONZE

*The physics of Light Interference Color (LIC) prevent colored stainless steel from being 100% uniform